

GUARDIAN[®] II

hemostasis valve

Maintains hemostasis
during interventions



- Rated for pressure injections up to 600psi
- 8F inner lumen allows for multiple interventional device use
- Unique seal technology designed for reduced blood loss

GUARDIAN^{II}

hemostasis valve

The Guardian
with a unique

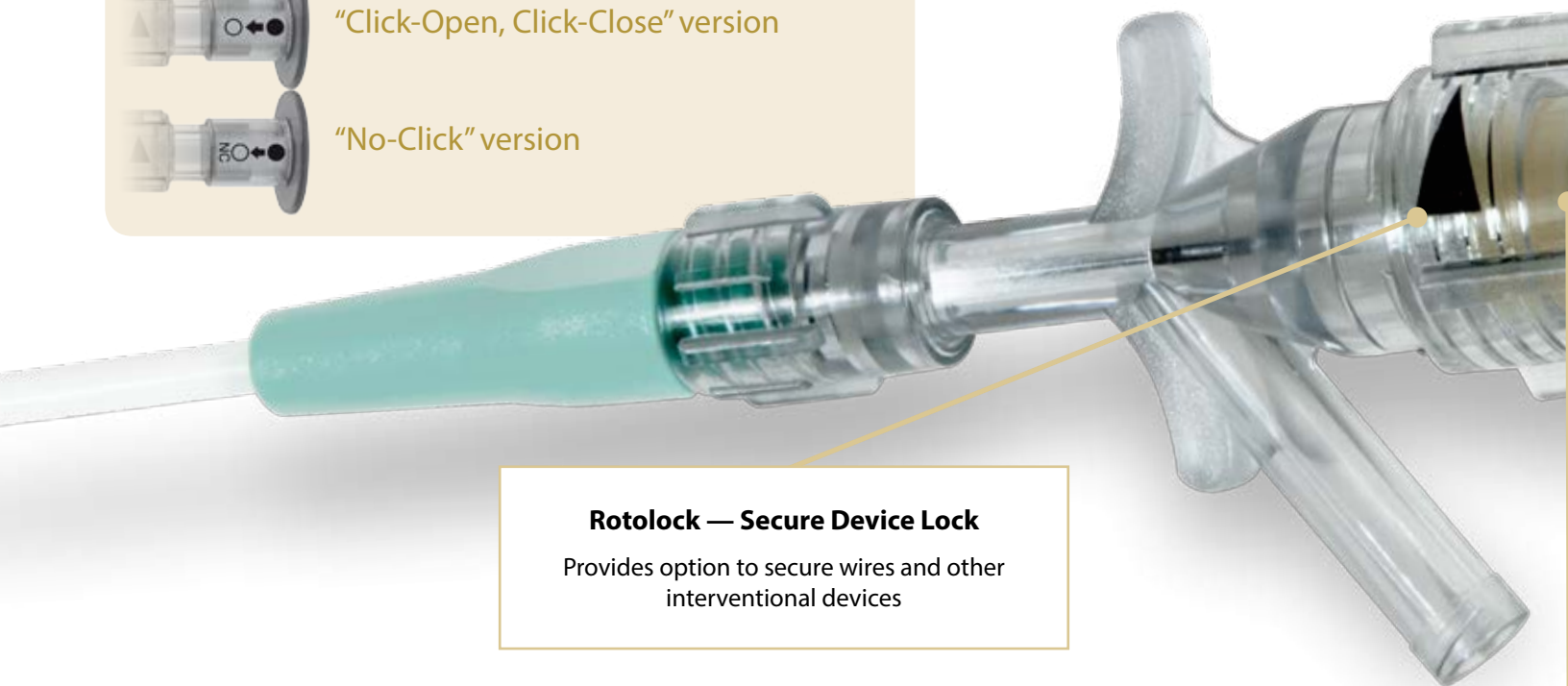
Available in two versions:



"Click-Open, Click-Close" version



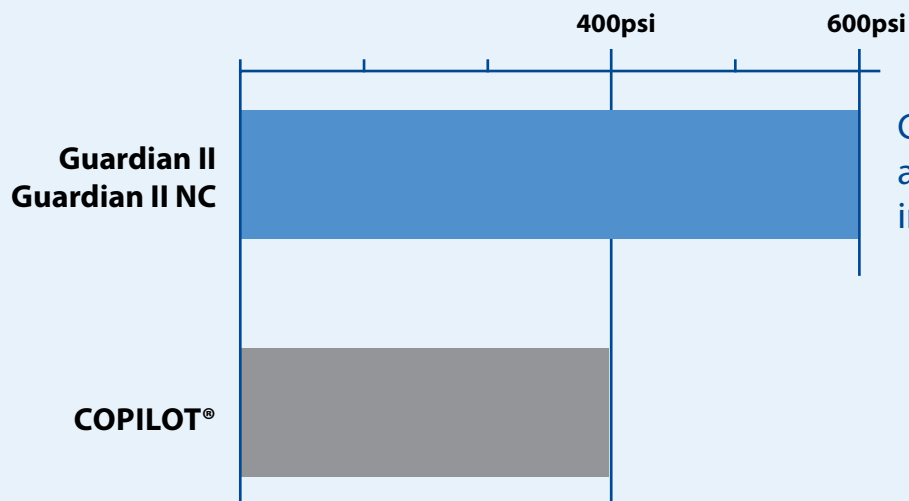
"No-Click" version



Rotolock — Secure Device Lock

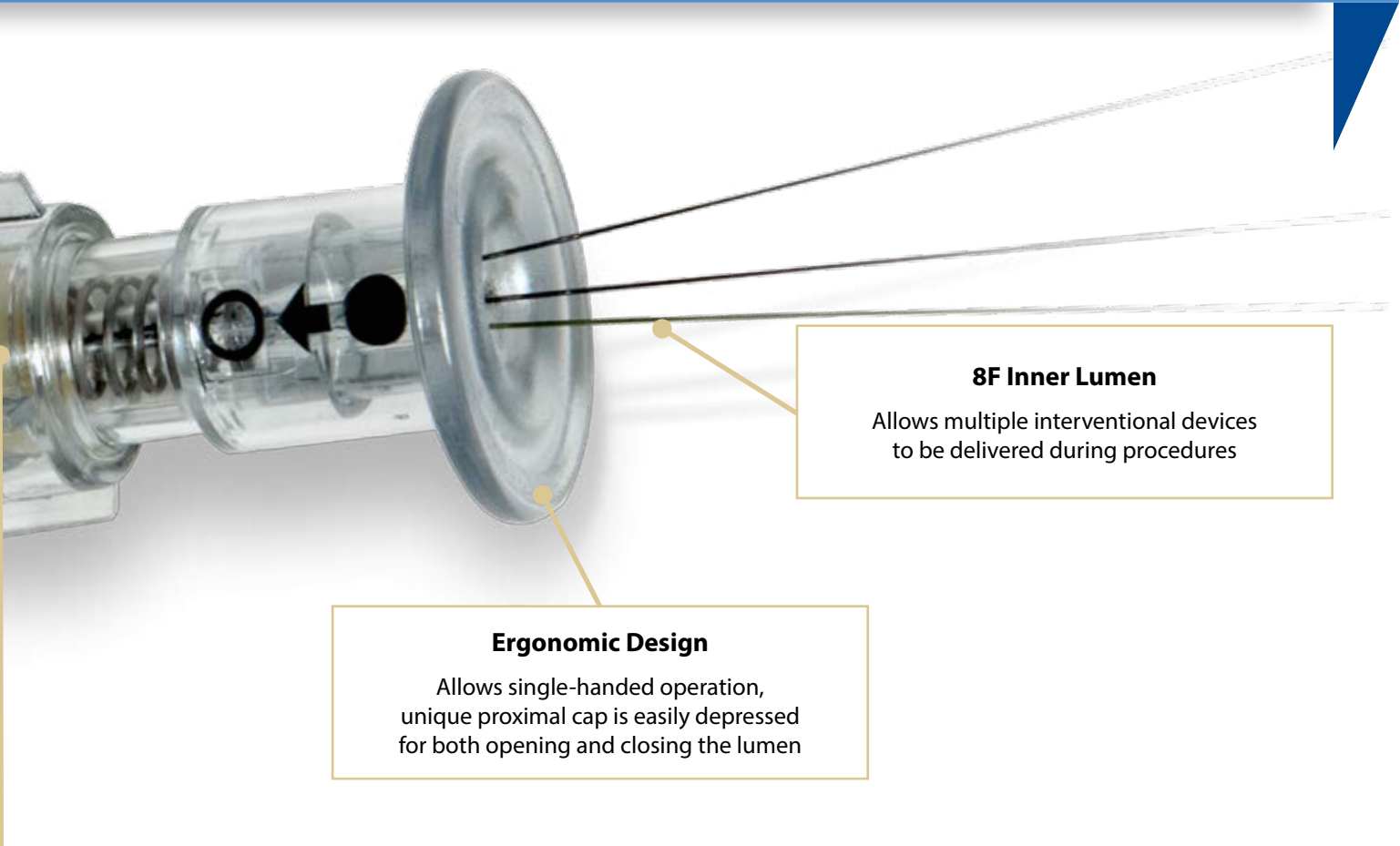
Provides option to secure wires and other interventional devices

Unique Star-Shaped Seal Technology — Allows in



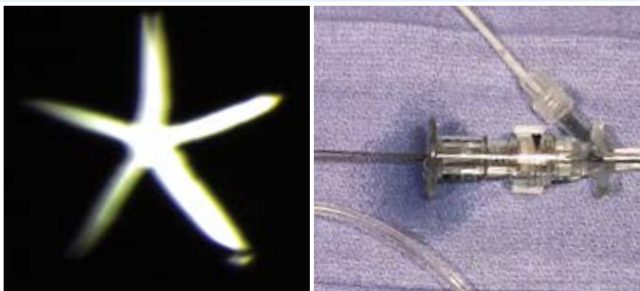
Guardian hemostasis valves are rated for pressure injections up to 600psi

hemostasis valve offers an 8F inner lumen unique seal technology for reduced blood loss

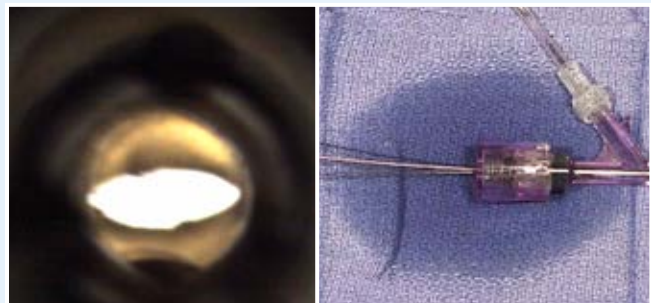


independent wire movement and reduces blood loss

After 1 minute of use, the Guardian demonstrated substantially less fluid loss than the competing hemostasis valve



**Guardian II
Star-Shaped seal**



COPILOT® Seal

GUARDIAN[®] II

hemostasis valve

The Guardian hemostasis valves are intended to maintain hemostasis during the use of diagnostic or interventional devices. Guardian hemostasis valves are indicated for maintaining a seal around diagnostic/interventional devices with outside diameters up to 8F (0.105" or 2.67mm) during diagnostic/interventional procedures. The torque device is provided as an aid for steering the guidewire within the vascular anatomy.

Closure of the high pressure seal on the Guardian hemostasis valves allows for pressure injections up to 600psi (40 atm or 4100 kPA).

Model	Description	Box Quantity
FH101	Guardian II Hemostasis Valve with Guidewire Insertion Tool	25
FH101-T	Guardian II Hemostasis Valve with Guidewire Insertion Tool and Torque Device	25
FH101-25	Guardian II Hemostasis Valve with Guidewire Insertion Tool, Torque Device and 25cm Extension Tube	25
FH101-50	Guardian II Hemostasis Valve with Guidewire Insertion Tool, Torque Device and 50cm Extension Tube	25
FH102	Guardian II NC Hemostasis Valve with Guidewire Insertion Tool	25
FH102-T	Guardian II NC Hemostasis Valve with Guidewire Insertion Tool and Torque Device	25
FH102-25	Guardian II NC Hemostasis Valve with Guidewire Insertion Tool, Torque Device and 25cm Extension Tube	25
FH102-50	Guardian II NC Hemostasis Valve with Guidewire Insertion Tool, Torque Device and 50cm Extension Tube	25

Devices packaged in quantities of 25 units per box. Individual units are not sold separately.



Please see the Instructions for Use for a complete listing of the indications, contraindications, warnings and precautions.

CAUTION: Federal Law (U.S.A.) restricts this device to sale by or on the order of a physician.

U.S. and International patents pending.

COPILOT is a registered trademark of the Abbott Group of Companies. Guardian is a registered trademark of Vascular Solutions Zerus Limited.

©2012 Vascular Solutions, Inc. All rights reserved. ML2681 Rev. A 10/12

Not for distribution in the U.S.



Manufactured for Vascular Solutions, Inc.
6464 Sycamore Court
Minneapolis, Minnesota 55369 USA

Customer Service:
United States: 888.240.6001
International: (001) 763.656.4298
customerservice@vasc.com
www.vasc.com